

## COMPACT MAGNETIC USB WORK LIGHT

### Product Features

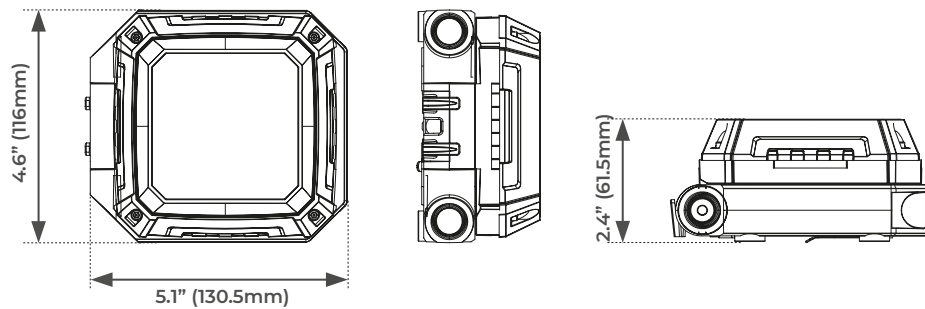
- Compact design with stand / carry handle, hook and magnetic function for multiple uses
- USB charging port and charging indicator
- High and low power modes with weatherproof power switch
- Toughened IK07 ABS constructed body with rubber trim for added protection



CAT NO.	LUMINAIRE LUMENS	CHARGING TIME
LWR7G65	750/300	3hrs



### Product Drawing



CAT NO.	WEIGHT (Kg)	WATTAGE	CRI	FREQUENCY (Hz)	IK RATING	BATTERY TYPE	BATTERY CAPACITY	TEMP RANGE (°C)	AMBIENT TEMP RATED LIFE (°C)	FIXING CENTRES
LWR7G65	0.48	7.5W	≥80	5dc	IK07	Li-Ion 3.7V	440mA	0 - +40	25	130mm

STANDARD	DESCRIPTION
60598-1	Luminaires – General requirements
60598-2-4	Luminaires – Portable general purpose luminaires
61000-3-2	Electromagnetic compatibility (EMC) - Part 3-2: Limits – for harmonic current emissions
61000-3-3	Lamp controlgear – Part 1: General and safety requirements
61547	Equipment for general lighting purposes – EMC immunity requirements
55015	Limits and methods of measurement of radio disturbance characteristics of electrical lighting and similar equipment

