

NO WIRING REQUIRED
ZERO ELECTRICITY COST

SOLAR GUARDIAN SECURITY WALL LIGHT

Product Features

- Exterior security wall light with solar power technology
- Adjustable heads and separate solar panel to maximise charge time
- Product illuminates only when required with PIR/ photocell, 5 metre cable length
- Ideal for security purposes in residential applications with no mains power



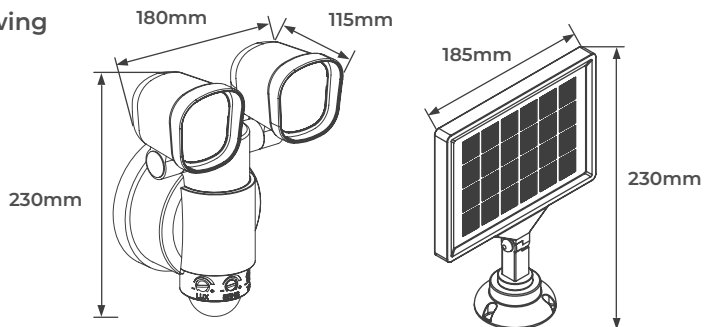
CAT NO.

LEXT4B50S

LUMINAIRE LUMENS

400

Product Drawing



CAT NO.	WEIGHT (kg)	WATTAGE	CRI	IK RATING	BATTERY TYPE	BATTERY CAPACITY	TEMP RANGE (°C)	AMBIENT TEMP RATED LIFE (°C)
LEXT4B50S	0.96	4	>80	IK04	Li-Ion 3.7V	2200mAh	0 - +25	25

STANDARD	DESCRIPTION
EN 60598-1	Luminaires – General requirements
EN 60598-2-1	Luminaires – Fixed general purpose
EN 61000-3-2	Electromagnetic compatibility (EMC) – Part 3-2: Limits - for harmonic current emissions
EN 61000-3-3	Limits - Limitation of voltage changes, voltage fluctuations and flicker in public low-voltage supply systems, for equipment with rated current ≤ 16 A per phase and not subject to conditional connection
EN 61547	Equipment for general lighting purposes – EMC immunity requirements
EN 55015	Limits and methods of measurement of radio disturbance characteristics of electrical lighting and similar equipment

LUCECO

This luminaire contains built-in LED lamps.

A++
A+
A
B
C
D
E

} LED

The lamps cannot be changed in the luminaire.

874/2012

